

LUMUX

Project :

Type:

Agency :

Distributor :



Description : Square wall or ceiling mounted half - eye lid Luminaire for Architectural Lighting Applications. Architectural illuminating design with low copper die cast aluminum body & trim. High corrosion resistant polyester powder coat finish. Silicon Gasket and Silicon wires. UV rated injection molded polycarbonate opal diffuser. Vandal resistant stainless steel screws. UL & CUL listed for wet locations. Specify any RAL colors

SPECIFICATION:

Housing : Low copper aluminum die cast. Vandal resistance stainless steel screws. Silicon gasketed for weather tight operation.

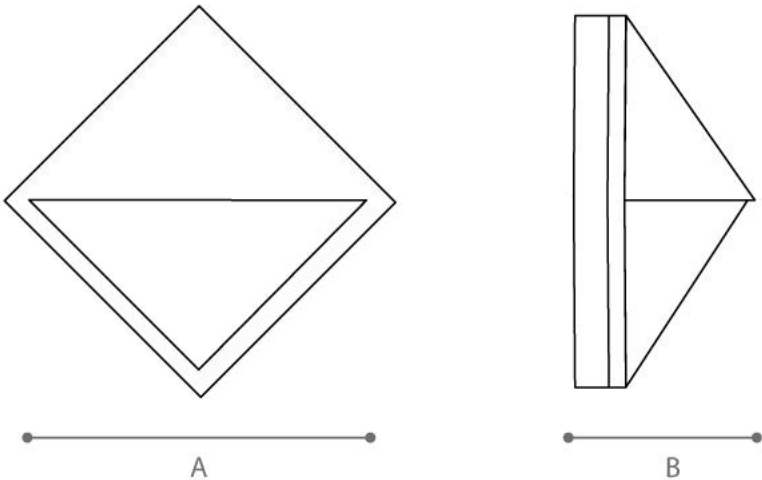
Diffuser : Frosty polycarbonate

Electrical : Voltage : 120 / 277
 Lamp: Incandescent A19, Compact Fluorescent. LED.
 Socket : A19, G23-2, G24Q.
 Ballast : Class P, Electronic Ballast

Installation: Surface mount, Provided with standard mounting bracket fits any standard 3.0" or 4.0" J-Box.

DIMENSIONS:

A = 14.0"
 B = 5.0"



Lumux - WS845

Lumux reserves the right to modify the above details to reflect changes in the cost of materials and/or design without prior notice.

Lumux Lighting Inc	877-895-5552	Rev : D	Drawing Number WS845
--------------------	--------------	---------	-------------------------

LUMUX

Date :

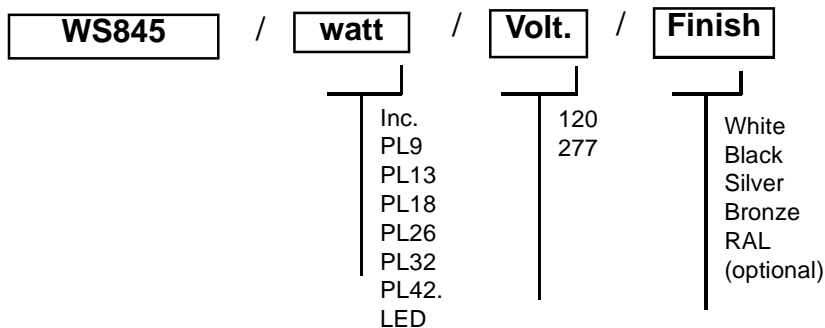
Project :

Type:

Agency :

Distributor :

ORDERING GUIDE:



WS845/LED-color/Voltage/Finish

LED CREE

Wattage	Voltage	Lumen	CRI	Temp.	B. Angle	Finish
21	120/277	1154	70	4000K	120	White Black Silver Bronze RAL (optional)
21	120/277	1050	70	3000K	120	

Lumux - WS845

PROJECT NOTES:

Comments

Approval

Lumux reserves the right to modify the above details to reflect changes in the cost of materials and/or design without prior notice.

Lumux Lighting Inc	877-895-5552	Rev :D	Drawing Number WS845
---------------------------	---------------------	---------------	--------------------------------