

# LUMUX

## STEP LIGHTS SL1000SS

DATE:

PROJECT:

FIRM:

CATALOG NO.:

COMMENTS:

The Lumux SL1000SS is a precision engineered, recessed LED architectural step light that is designed for durability and performance. Constructed from the highest quality materials and components, the SL1000SS offers a larger body, enabling higher wattage and lumen output, and is offered in two lengths, 13" or 25." A diecast aluminum body is seamlessly integrated with its grade 316 stainless-steel faceplate with captive, vandal resistant stainless-steel screws. This step light features a frosty glass diffuser, reducing glare, and is energy efficient for long-lasting indoor and outdoor applications.



**Housing:** Heavy-duty construction of corrosion resistant, low-copper die cast aluminum. Faceplate secured with vandal resistant, stainless-steel screws.

**Lens:** 1/8" thick shatter-proof frosty glass diffuser

**Mounting:** Recessed wall or concrete pour

**Installation:** Unit is provided with steel galvanized concrete pour box (see diagram for dimensions). Housing provided with 1/2" conduit opening.

**Finish:** Zinc polyester powder coat finish in black, white, silver, bronze, or any custom RAL color. Consult factory for marine grade or anti-microbial finish.

**Driver:** Constant current and universal input voltage 120/277V, starting temperature rated at -20°F. Dimmable option available (0-10v).

**Gasket:** Closed cell silicon foam gasket that seals out moisture, dust, and insects for weather tight operation.

**Protection Class:** IP65, ETL Listed for wet locations

**Wattage:** 13" (11W) 25" (20W)

**Color Temperature:** 2700K / 3000K / 3500K / 4000K

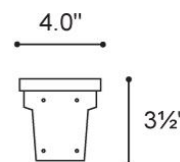
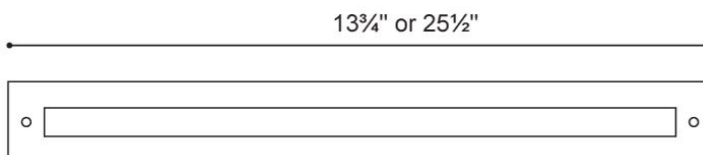
<b>Delivered Lumens (13"):</b>	<b>2700K</b>	<b>3000K</b>	<b>3500K</b>	<b>4000K</b>
	270Lm	300Lm	350Lm	400Lm

<b>Delivered Lumens (25"):</b>	<b>2700K</b>	<b>3000K</b>	<b>3500K</b>	<b>4000K</b>
	575Lm	639Lm	746Lm	852Lm

**CRI:** 90

**Warranty:** 5 year limited warranty

### Dimensions:



SL1000-13SS	13 3/4"
SL1000-20SS	25 1/2"

Content of specification sheet subject to change

# LUMUX

## STEP LIGHTS SL1000SS

DATE: \_\_\_\_\_  
 PROJECT: \_\_\_\_\_  
 FIRM: \_\_\_\_\_  
 CATALOG NO.: \_\_\_\_\_  
 COMMENTS: \_\_\_\_\_

### Ordering Guide:

Catalog No.	LED Color	Color Temp <sup>1</sup>	Voltage	Finish	Options <sup>2</sup>
SL1000-13SS	White	2700K	120/277	Stainless Steel	<input type="checkbox"/> Dimmable driver (0-10v) <input type="checkbox"/> Symmetric <input type="checkbox"/> Asymmetric
SL1000-25SS	Amber	3000K		Black	
		3500K		White	
		4000K		Silver	
				Dark Bronze	
				Custom RAL <sup>2</sup>	

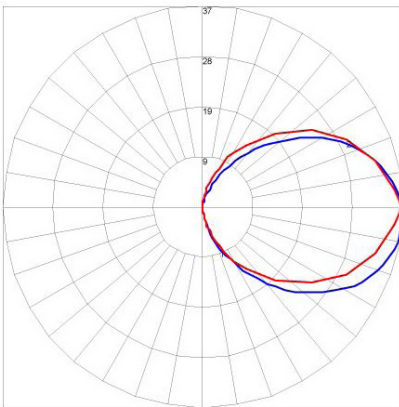
<sup>1</sup> Color Temperature applies only to White LED Color

<sup>1</sup> Consult factory for additional options

<sup>2</sup> Consult factory for additional options

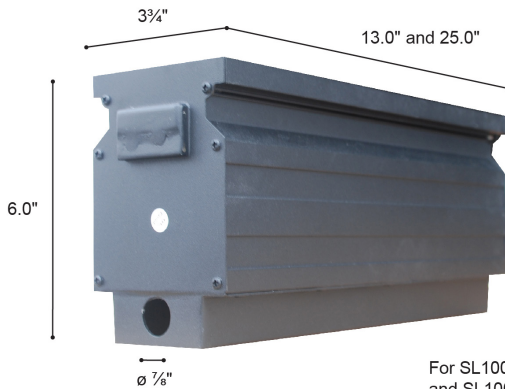
Catalog No.: \_\_\_\_\_

### Photometrics:



Maximum Candela = 37.1 Located At Horizontal Angle = 0, Vertical Angle = 85  
 #1 - Vertical Plane Through Horizontal Angles (0 - 180) (Through Max. Cd.)  
 #2 - Horizontal Cone Through Vertical Angle (85) (Through Max. Cd.)

### Additional Options:



For SL1000-13SS  
and SL1000-20SS

Content of specification sheet subject to change