

LUMUX

BOLLARD BL344

The Lumux Bollard ("BL") series is a family of precision engineered, architectural LED bollards offered in a wide variety of form factors. Intended to illuminate a variety of outdoor spaces, whether public or private, the Lumux Bollard line offers multiple light distributions, including 360-degree shielded or unshielded, symmetric, and downward facing light. The body is constructed from heavy-duty die-cast aluminum or grade 316 stainless-steel, seamlessly integrated with its light source in a sleek, symmetrical design with no visible hardware. The Lumux Bollard combines form and function, offering architectural grade design while utilizing the highest quality of materials and components, providing long-lasting stability and durability that meets the most rigorous standards.

Housing: Heavy-duty construction of one piece, corrosion resistant, low-copper extruded aluminum. All fasteners are vandal resistant, stainless-steel screws.

Lens: Sealed one-piece, shatter proof, UV-rated polycarbonate lens

Mounting: Secures with galvanized anchor bolts

Installation: Mounting footplate (refer to diagram)

Finish: Zinc polyester powder coat finish in black, white, silver, bronze, or any custom RAL color. Consult factory for marine grade or anti-microbial finish.

Driver: Constant current and universal input voltage 120/277V, starting temperature rated at -20°F. Dimmable option available (0-10v).

Gasket: Closed cell silicon foam gasket that seals out moisture, dust, and insects for weather tight operation.

Protection Class: IP65, ETL Listed for wet locations

Wattage: 32W

Color Temperature: 2700K / 3000K / 3500K / 4000K

Delivered Lumens:	2700K	3000K	3500K	4000K
	990Lm	1140Lm	1190Lm	1210Lm

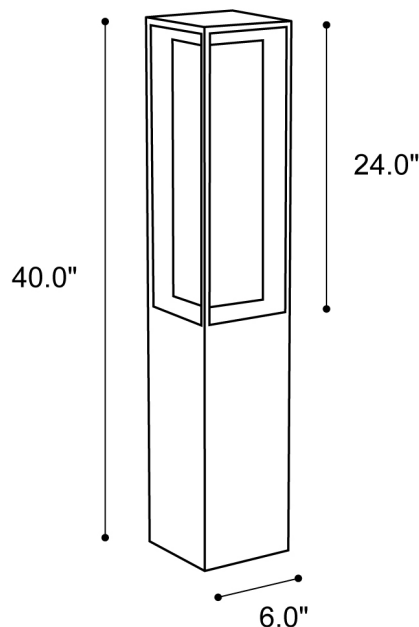
CRI: 90

Warranty: 5 year limited warranty

DATE: _____
PROJECT: _____
FIRM: _____
CATALOG NO.: _____
COMMENTS: _____



Dimensions:



Content of specification sheet subject to change

LUMUX

BOLLARD BL344

DATE: _____
 PROJECT: _____
 FIRM: _____
 CATALOG NO.: _____
 COMMENTS: _____

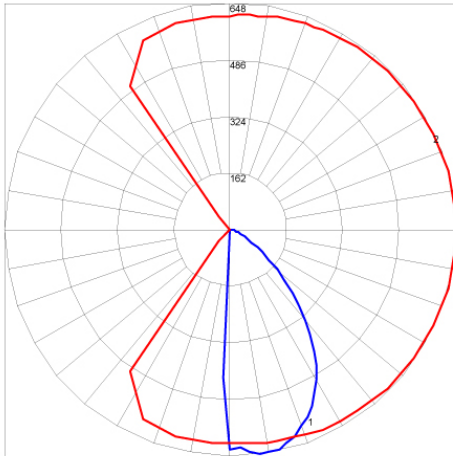
Ordering Guide:

Catalog No.	LED Color	Color Temp ¹	Voltage	Finish	Options ²
BL344	White	2700K	120/277	Black	<input type="checkbox"/> Dimmable driver (0-10v) <input type="checkbox"/> GFCI Dual Recepticle <input type="checkbox"/> Occupancy Sensor
		3000K		White	
		3500K		Silver	
		4000K		Bronze	
				Custom RAL ²	

¹Consult factory for additional options
²Consult factory for additional pricing

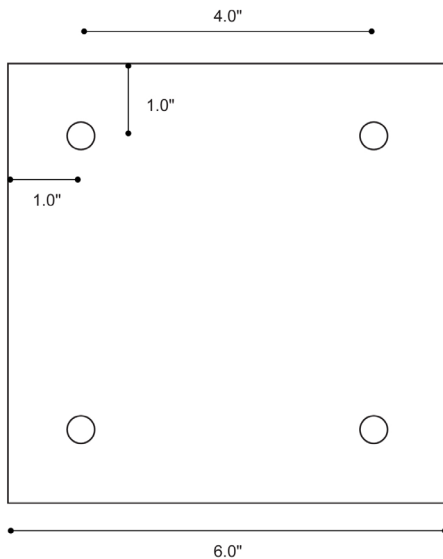
Catalog No.: _____

Photometrics:



Maximum Candela = 648 Located At Horizontal Angle = 5, Vertical Angle = 10
 # 1 - Vertical Plane Through Horizontal Angles (5 - 195) (Through Max. Cd.)
 # 2 - Horizontal Cone Through Vertical Angle (10) (Through Max. Cd.)

Anchor Bolt Template:



Content of specification sheet subject to change