

LUMUX

BOLLARD

BL100S

The Lumux Bollard ("BL") series is a family of precision engineered, architectural LED bollards offered in a wide variety of form factors. Intended to illuminate a variety of outdoor spaces, whether public or private, the Lumux Bollard line offers multiple light distributions, including 360-degree shielded or unshielded, symmetric, and downward facing light. The body is constructed from heavy-duty die-cast aluminum or grade 316 stainless-steel, seamlessly integrated with its light source in a sleek, symmetrical design with no visible hardware. The Lumux Bollard combines form and function, offering architectural grade design while utilizing the highest quality of materials and components, providing long-lasting stability and durability that meets the most rigorous standards.

Housing: Heavy-duty construction of one piece, corrosion resistant, low-copper extruded aluminum. Top cap fastened to the body with vandal resistant, stainless-steel screws.

Lens: Sealed one-piece, shatter proof, UV-rated polycarbonate lens

Mounting: Secures with galvanized anchor bolts

Installation: Mounting footplate (refer to diagram)

Finish: Zinc polyester powder coat finish in black, white, silver, bronze, or any custom RAL color. Consult factory for marine grade or anti-microbial finish.

Driver: Constant current and universal input voltage 120/277V, starting temperature rated at -20°F. Dimmable option available (0-10v).

Gasket: Closed cell silicon foam gasket that seals out moisture, dust, and insects for weather tight operation.

Protection Class: IP65, ETL Listed for wet locations

Wattage: 19W

Color Temperature: 2700K / 3000K / 3500K / 4000K

Delivered Lumens:	2700K	3000K	3500K	4000K
	333Lm	371Lm	432Lm	494Lm

CRI: 90

Warranty: 5 year limited warranty

DATE:

PROJECT:

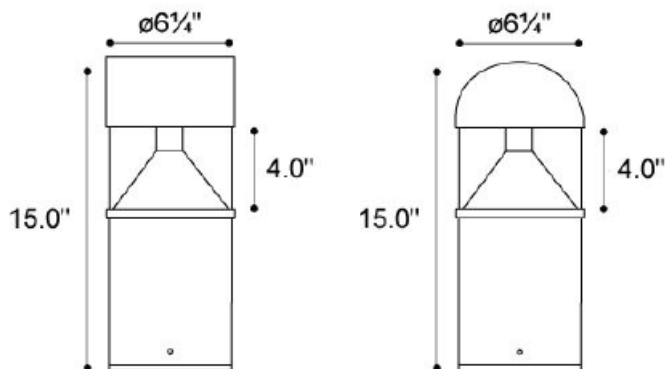
FIRM:

CATALOG NO.:

COMMENTS:



Dimensions:



BL100S-Flat

BL100S- Round

LUMUX

BOLLARD BL100S

DATE: _____

PROJECT: _____

FIRM: _____

CATALOG NO.: _____

COMMENTS: _____

Ordering Guide:

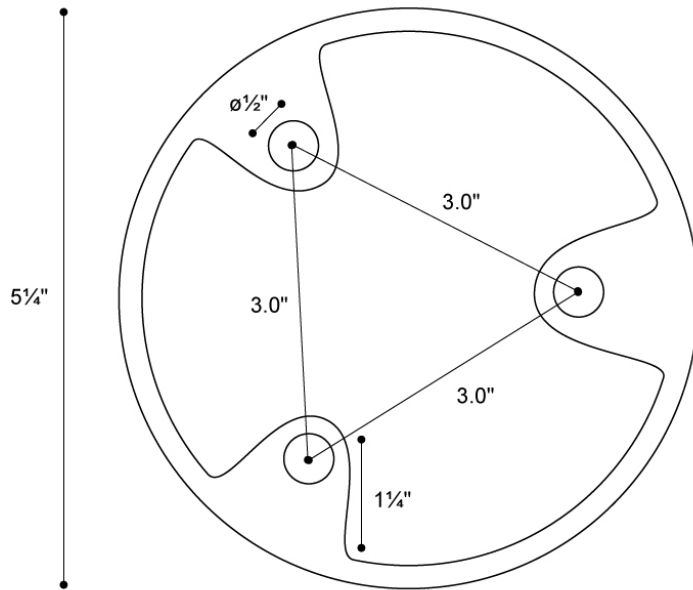
Catalog No.	LED Color	Color Temp ¹	Voltage	Finish	Options ²
BL100S	White	2700K	120/277	Black	<input type="checkbox"/> Dimmable driver (0-10v) <input type="checkbox"/> Flat Top <input type="checkbox"/> Round Top
		3000K		White	
		3500K		Silver	
		4000K		Bronze	
				Custom RAL ²	

¹Consult factory for additional options

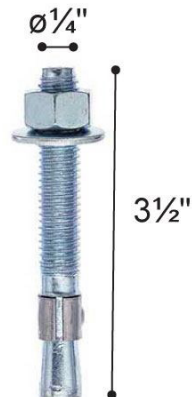
²Consult factory for additional pricing

Catalog No.: _____

Anchor Bolts Footprint:



Anchor Bolt:



Content of specification sheet subject to change