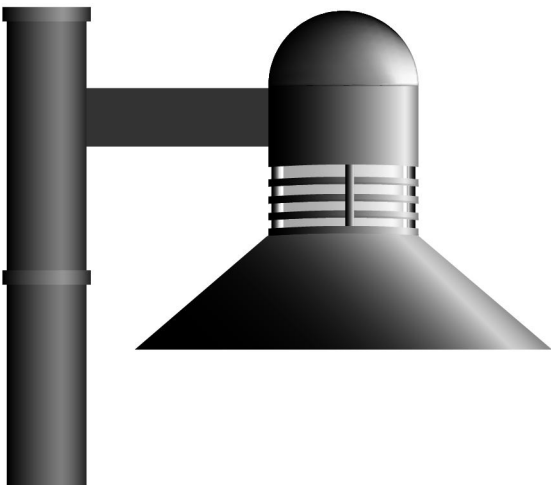


LUMUX

Project :	Type:
-----------	-------

Agency :

Distributor :



Wall and post mounted luminaires constructed from low copper aluminum die cast with opal glass diffuser. High corrosion resistance polyester powder coat finish. Vandal resistance stainless steel fastener. Fully enclosed and gasketed for tight weather operation. Suitable for wet locations. ETL Listed for wet location. IP 65 rated.

SPECIFICATION:

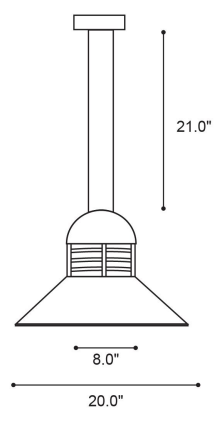
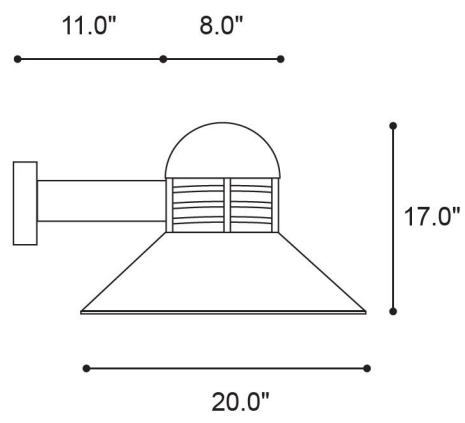
Housing : Low copper aluminum die cast.
Vandal resistance stainless steel screws.
Silicon gasketed for weather tight operation.

Diffuser : Frosty glass.

Electrical : Voltage : 120 or 277
Lamp: Compact Fluorescent, HID, LED
Socket : GX24Q - Med. Base
Ballast : Class P, Electronic Ballast

Installation:
Wall mount bracket is 6 1/4" in diameter
Post top tenon is 3.0" in diameter by 3 1/2" in length.

DIMENSIONS:



Lumux - PT530

Lumux reserves the right to modify the above details to reflect changes in the cost of materials and/or design without prior notice.

Lumux Lighting Inc	877-895-5552	Rev : A	Drawing Number PT530
---------------------------	---------------------	----------------	---------------------------------

LUMUX

Date :

Project :

Type:

Agency :

Distributor :

ORDERING GUIDE:

PT530	/	Type	/	Lamp	/	Volt	/	Finish
		Wall Mount Post top - 1 Post Top - 2 Post Top - 3 Pendent		PL9-PL13 PL18-PL26 PL32-PL42 MH50-MH70 MH100-MH175 LED		120 277		Black White Silver Bronze RAL (optional)

CREE LED

Wattage	Voltage	Lumen	CRI	Temp.	B. Angle	Finish White Black Silver Bronze RAL (optional)
47.6	120/277	1347	70	4000K	120	

Lumux - PT530

PROJECT NOTES:

Comments

Approval

Lumux reserves the right to modify the above details to reflect changes in the cost of materials and/or design without prior notice.

Lumux Lighting Inc	877-895-5552	Rev :A	Drawing Number PT530
---------------------------	---------------------	---------------	--------------------------------