

Lumux Lighting

PT1500

Low copper aluminum die cast, Polyester powder coat, stainless steel vandal resistance screws. Silicon O-Ring gasketed for tight weather operation. Flat clear polycarbonate lens to achieve 90 degree cut off distribution. Max wattage 400-Watt Metal Halide. ETL Listed for wet location. IP65.

REV : A

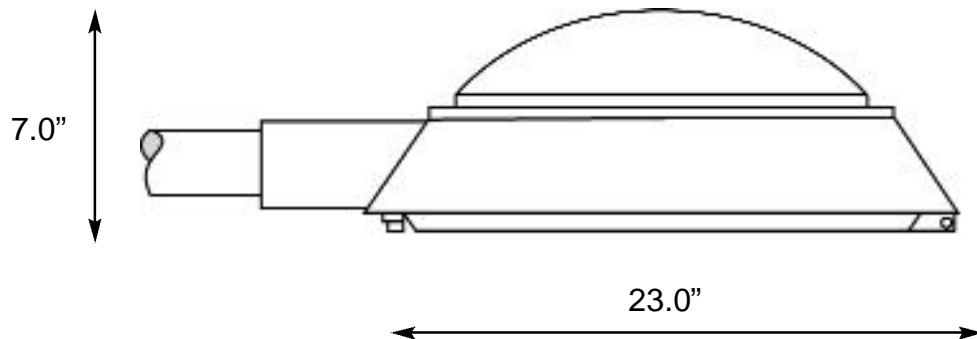
Project :

Type:

Date:

Agency:

Distributor:



Electrical :

Voltage: 120 / 277 V
Compact Fluorescent
Socket : G23-2, G24Q-4
Metal Halide : Med. Base. Mogul Base
Ballast : Class P. Electronic Ballast

Construction :

Low Copper die cast aluminum. Vandal resistance stainless steel screws. Silicon gasketed for weather tight operation.

Diffuser:

UV Rated clear polycarbonate.

Finish :

Polyester Powder Coat

Installation :

Post Top : Tenon of 3.0" in diameter by 3 1/2" in length.

Ordering Guide:

	<u>Lamp</u>	<u>Voltage</u>	<u>Type</u>	<u>Finish</u>	<u>Options:</u>
PT1500/	PL9-PL13	120	Post Top (Specify Height of the pole.)	Black	
	PL18	277		White	
	PL26-PL32			Silver	
	PL42			Bronze	
	MH50- MH400			RAL- Optional	