

LUMUX

Date :

Project :

Type:

Agency :

Distributor :



Description : These Luminaries with rotationally symmetrical light distribution are well designed for parks, parking lots or any other public areas. This unit is fabricated from low copper aluminum die cast parts with spun aluminum disk on the top of the luminaries, which would also be used as a downward reflector. Unit utilizes aluminum ring louvers to suppress light glare and to provide a pleasant glare free unit. All of the hardware is stainless steel. Ultraviolet stabilized polycarbonate diffuser. Silicon rubber to make the unit weather tight for outdoor application. Polyester powder coated. ETL listed for wet location.

SPECIFICATION:

Housing : Low copper aluminum die cast.
Vandal resistance stainless steel screws.
Silicon gasketed for weather tight operation.

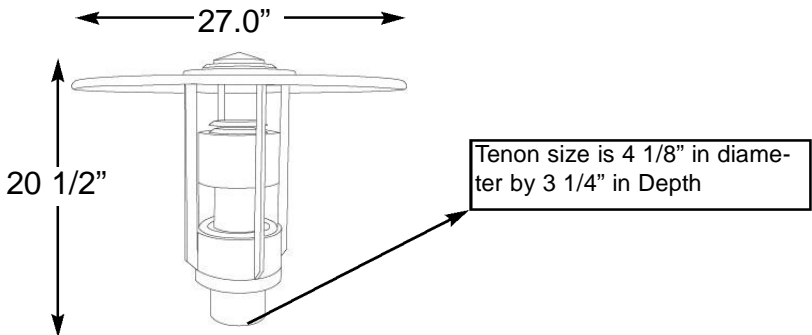
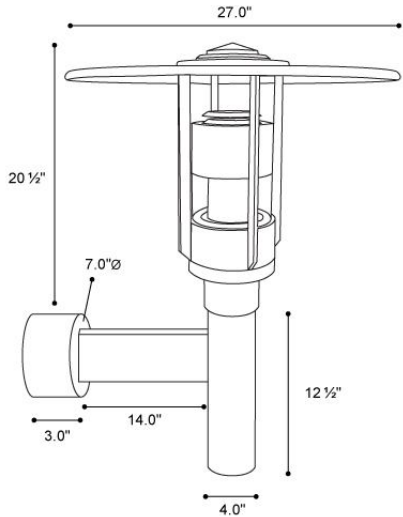
Diffuser : Clear Polycarbonate

Electrical : Voltage : 120 or 277
Lamp: Compact Fluorescent, HID
Socket : GX24Q - Med. Base
Ballast : Class P, Electronic Ballast

Installation:
Unit is provided with the wall mount or post top. The tenon size for the pole is 4 1/8" in diameter and 3 1/4" in depth.

Lumux - PT1200

DIMENSIONS:



Lumux reserves the right to modify the above details to reflect changes in the cost of materials and/or design without prior notice.

Lumux Lighting Inc	877-895-5552	Rev : C	Drawing Number PT1200
---------------------------	---------------------	----------------	---------------------------------

LUMUX

Date :

Project :

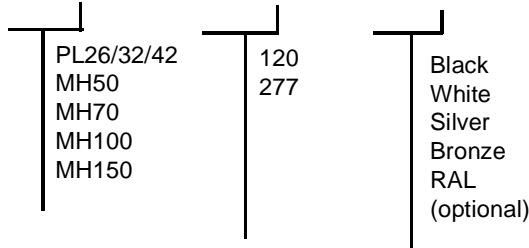
Type:

Agency :

Distributor :

ORDERING GUIDE:

PT1200 / XXX / XXX / xxx



PT1200/LED-color/120-277/Finish

CREE LED

Wattage	Voltage	Lumen	CRI	Temp.	B. Angle
47.6	120/277	2160	70	4000K	120

Finish
White
Black
Silver
Bronze
RAL
(optional)

Lumux - PT1200

PROJECT NOTES:

Comments

Approval

Lumux reserves the right to modify the above details to reflect changes in the cost of materials and/or design without prior notice.

Lumux Lighting Inc	877-895-5552	Rev :C	Drawing Number PT1200
--------------------	--------------	--------	--------------------------