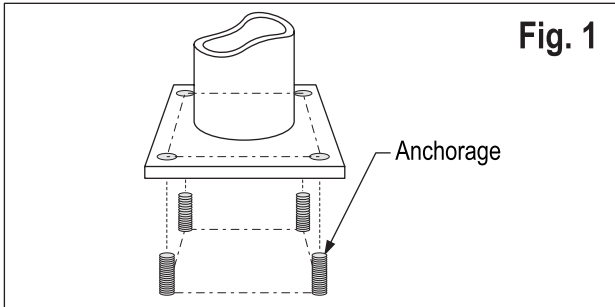


LUMUX INC.

INSTALLATION OPERATION INSTRUCTIONS

PREPARING THE LUMINAIRE

SAVE THIS INSTRUCTIONS



READ & UNDERSTAND ALL INSTRUCTIONS BEFORE INSTALLATION. IF YOU ARE NOT FAMILIAR WITH THE NATIONAL & LOCAL ELECTRICAL CODE (NEC), CONTACT A QUALIFIED ELECTRICIAN TO INSTALL THIS LUMINAIRE FOR YOU.

WARNING.- Before installing this luminaire or doing any maintenance, turn off the power supply at the circuit breaker or fuse box. Turning the power off using the light switch is not sufficient to prevent electrical shock.

Fig. 1.- Install Luminaire Pole Base:

a) Use proper anchorage template as required in the specification sheet (provided), see Fig. 1.

Fig. 2.- Install Pole Top Luminaire:

a) Run supply wires through the pole and make electrical connection as shown in wire diagram.

b) Insert luminaire onto the pole tenon, see Fig. 2.

c) Secure luminaire to the pole tenon by screwing in the set screws (provided), see Fig. 2.

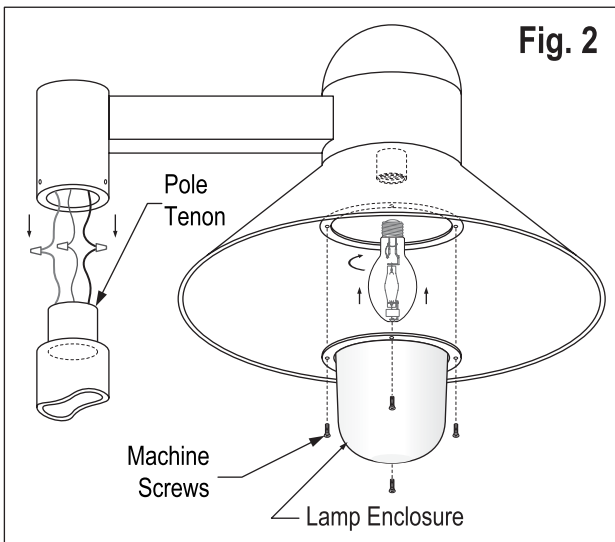


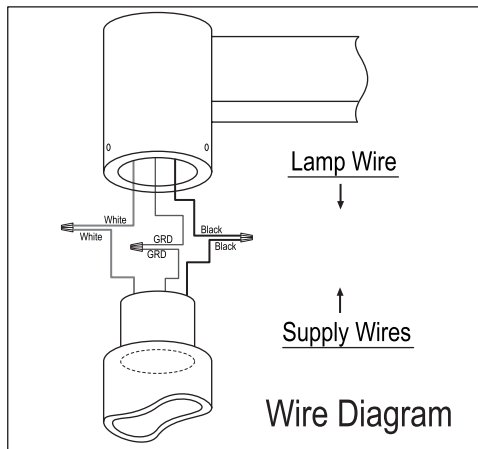
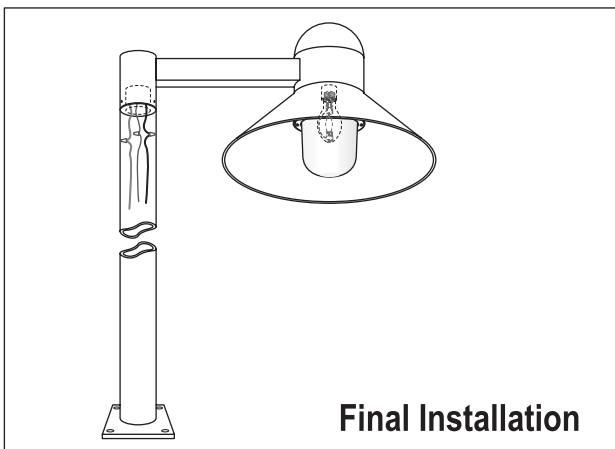
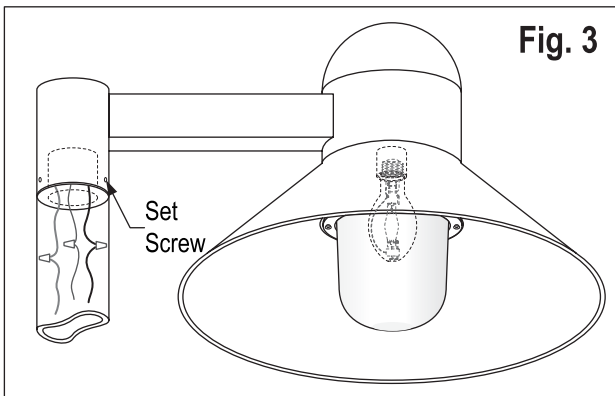
Fig. 2 & 3.- Install Lamp & Enclosure:

a) Install proper lamp type and wattage. **Do Not Exceed Recommended wattage** (as label provided), see Fig. 2

b) Install lamp enclosure to the luminaire by using the four machine screws (provided), see Fig. 2 & 3.

NOTE:

1.- Before Installing the luminaire to pole tenon, make sure all the wire connections are within the pole.



POLE TOP LUMINAIRE - PT500 SERIES -

LUMUX - ARCHITECTURAL LIGHTING COMPANY- Toll Free 877- 895-5552 www.Lumux.net