

Project :	Type:
-----------	-------

Agency :

Distributor :



Description : The BL350-2 Bollard luminaires provide efficient low-glare illumination from a highly durable seamless architectural form with two shielded light sources. This unit is fabricated from extruded aluminum with frosted glass lens. All hardware are stainless steel. Silicon gasketed for weather tight operation. Anchor bolts are provided. This unit is utilizing Cree 26 watt LED. 120 volt or 277 volt driver is integral with this luminaires. Unit could be specified in Black, Silver, White or Dark Bronze. Unit complies with "Made in USA" provision. This unit is ordered per project.

Lumux - BL350-2

SPECIFICATION:

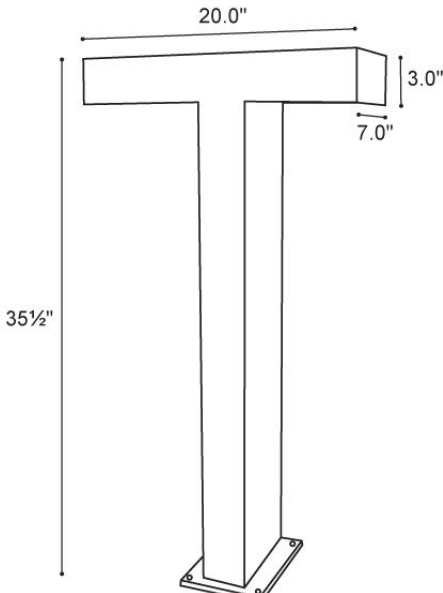
Housing : Extruded aluminum. Vandal resistance stainless steel screws. Silicon gasketed for weather tight operation.

Diffuser : Frosty glass.

Electrical : Voltage : 120 or 277
Lamp: LED,
Driver : Integral.

Installation:
Unit is provided with anchor bolts.

DIMENSIONS:



Lumux reserves the right to modify the above details to reflect changes in the cost of materials and/or design without prior notice.

Lumux Lighting Inc	877-895-5552	Rev : A	Drawing Number BL350-2
--------------------	--------------	---------	---------------------------

LUMUX

Date :

Project :

Type:

Agency :

Distributor :

ORDERING GUIDE:

BL350-2/LED/120/277/Finish

LED -CREE

Wattage	Voltage	Lumen	CRI	Temp.	B. Angle	Finish
26 (Each Head)	120/277	837	80	4000K	120	Black White Silver Bronze RAL (optional)

Lumux - BL350-2

PROJECT NOTES:

Lumux reserves the right to modify the above details to reflect changes in the cost of materials and/or design without prior notice.

Lumux Lighting Inc

877-895-5552

Rev :A

Drawing Number
BL350-2