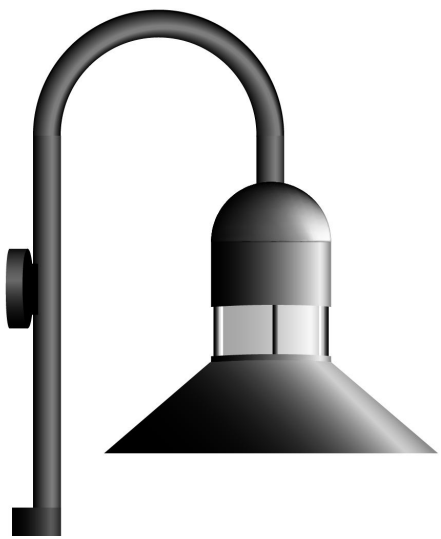


LUMUX

Project :	Type:
-----------	-------

Agency :

Distributor :



Wall and post mounted luminaires constructed from low copper aluminum die cast with opal glass diffuser. High corrosion resistance polyester powder coat finish. Vandal resistance stainless steel fastness. Fully enclosed and gasketed for tight weather operation. Suitable for wet locations. ETL Listed for wet location. IP 65 rated.

SPECIFICATION:

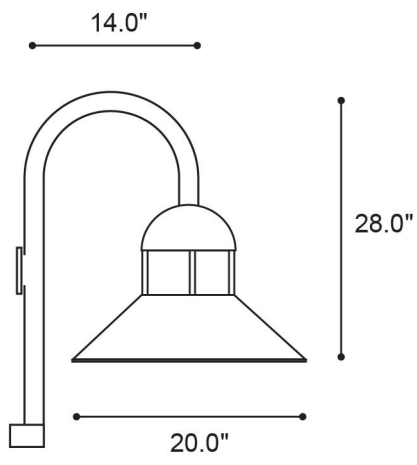
Housing : Low copper aluminum die cast.
Vandal resistance stainless steel screws.
Silicon gasketed for weather tight operation.

Diffuser : Frosty glass.

Electrical : Voltage : 120 or 277
Lamp: Compact Fluorescent, HID, LED
Socket : GX24Q - Med. Base
Ballast : Class P, Electronic Ballast

Installation:
Wall mount bracket is 6 1/4" in diameter
Post top tenon is 3.0" in diameter by 3 1/2" in length.

DIMENSIONS:



Lumux - PT510SC

Lumux reserves the right to modify the above details to reflect changes in the cost of materials and/or design without prior notice.

Lumux Lighting Inc	877-895-5552	Rev : A	Drawing Number PT510SC
---------------------------	---------------------	----------------	----------------------------------

LUMUX

Date :

Project :

Type:

Agency :

Distributor :

ORDERING GUIDE:

PT510SC / **Type** / **Lamp** / **Volt** / **Finish**

Wall Mount
 Post top - 1
 Post Top - 2
 Post Top - 3
 Pendent

PL9-PL13
 PL18-PL26
 PL32-PL42
 MH50-MH70
 MH100-MH175
 LED

120
 277

Black
 White
 Silver
 Bronze
 RAL
 (optional)

CREE LED

Wattage	Voltage	Lumen	CRI	Temp.	B. Angle
47	120/277	1347	70	4000K	120

Finish
 White
 Black
 Silver
 Bronze
 RAL
 (optional)

Lumux - PT510SC

PROJECT NOTES:

Comments

Approval

Lumux reserves the right to modify the above details to reflect changes in the cost of materials and/or design without prior notice.

Lumux Lighting Inc	877-895-5552	Rev :A	Drawing Number PT510SC
---------------------------	---------------------	---------------	----------------------------------