

LUMUX

Project : Type :

Agency :

Distributor :



Linear PT designed luminaire is suitable for both classic architecture and modern illumination. Specify this unit for creating visual guidance with exceptional visual comfort and illumination of pathways, landscape areas, pedestrian areas, shopping malls and plaza entrances.

Luminaire complies to Dark Sky requirements. Provided with a flat low profile hand hole cover with vandal resistant screws for easy installation. Available with a selection dimming drivers and optional pole mounted Occupancy Sensor, as well. This unit utilizes CREE LED for 120/277 input voltage. Fabricated of extruded aluminum post and aluminum casting lamp enclosure with stainless steel fasteners and tempered frosted glass, impact resistance diffuser. Powder coat finish will add to the longevity of this unit. IP65 and ETL Listed for wet location. Please refer to our ordering guide for all of the finishes available, (contact the factory for more information).

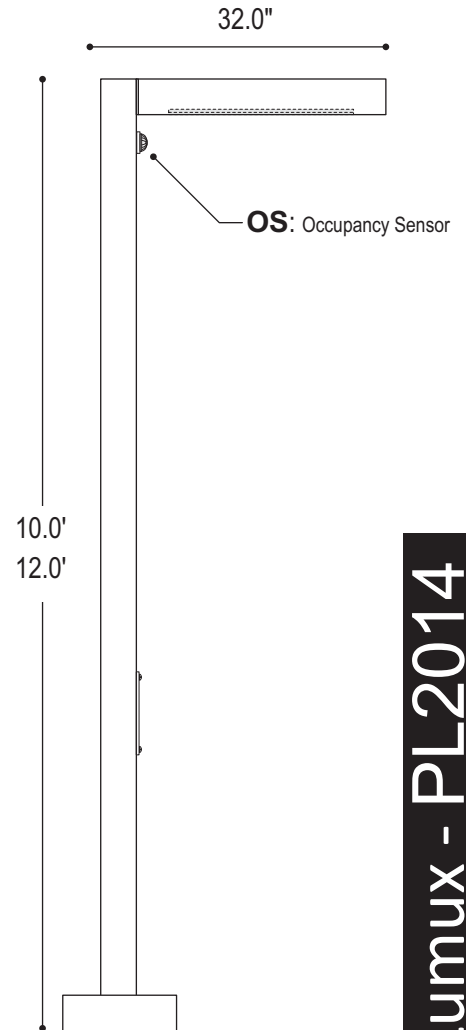
Housing : Low copper extruded aluminum, this High Pressure die-casting provides clean detailed lines for modern lighting. Vandal resistance stainless steel screws. Silicone gasket for weather tight operation.

Electrical : Voltage : 120 / 277
Lamp : CREE LED 45 watt

Diffuser : Tempered Frosted Glass

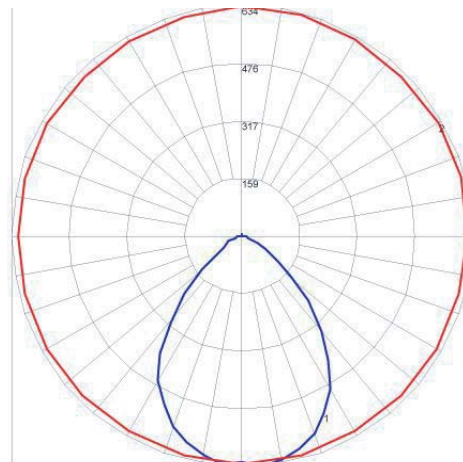
BUG Rating : B1 -UO -G1

Installation :
 Buried Anchor Bolts Kit are included



Lumux - PL2014

Light Distribution Pattern



Maximum Candela = 634.397. Located At Horizontal Angle = 90. Vertical Angle = 5
 # 1 - Vertical Plane Through Horizontal Angles (90 - 270) (Through Max. Cd.)
 # 2 - Horizontal Cone Through Vertical Angle (5) (Through Max. Cd.)

Lumux reserves the right to modify the above details to reflect changes in the cost of materials and/or design without prior notice.

Lumux Lighting Inc.	877-895-5552	Rev : B	Drawing Number PL2014
----------------------------	---------------------	----------------	----------------------------------

LUMUX

Date : Project : Type :

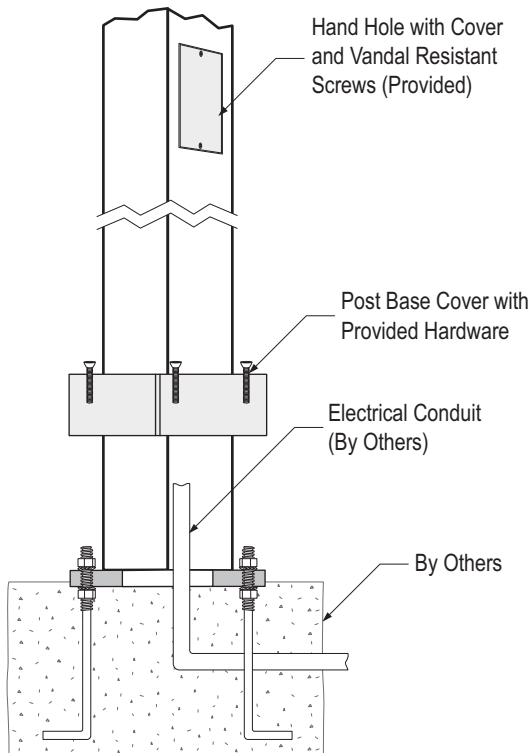
Agency : Distributor :

ORDERING GUIDE: PL2014/45W/120-277/30K/BLK/10/OS

	LED Watts	Voltage	LED Color Temp.	Color Finish	Post Height	Option
PL2014	45W	120-277	30K: 3000K	BLK: Black	10: 10Ft	OS: Occupancy Sensor
			40K: 4000K	WHT: White	12: 12Ft	
				SIL: Silver		
				D BRZ: Dark Bronze		
				RAI: (Optional)		

LED Detail: 4000 Lumens 80 CRI 120° Beam Angle

Post Detail:



Anchorage Foot Print

Post is fabricated of high grade aluminum extrusion conforms to **ASTM-A-501-68** specifications. Meets or exceeds minimum yield strength of **46 PSI**.

Anchorage : (4 sets) anchor bolts fabricated of hot rolled steel bar. Minimum yield strength of **50 PSI**. Bolts have "L" bend on one end and are threaded on the other end. Bolts are fully galvanized and are furnished with two nuts and two lock washers.

Please go on line to **www.lumux.com** to get a copy of this pole's template by clicking on the Post icon and selecting E-Template from the drop down menu...

Lumux - PL2014

Lumux reserves the right to modify the above details to reflect changes in the cost of materials and/or design without prior notice.

Lumux Lighting Inc.	877-895-5552	Rev : B	Drawing Number PL2014
----------------------------	---------------------	----------------	---------------------------------

LUMUX

Date :

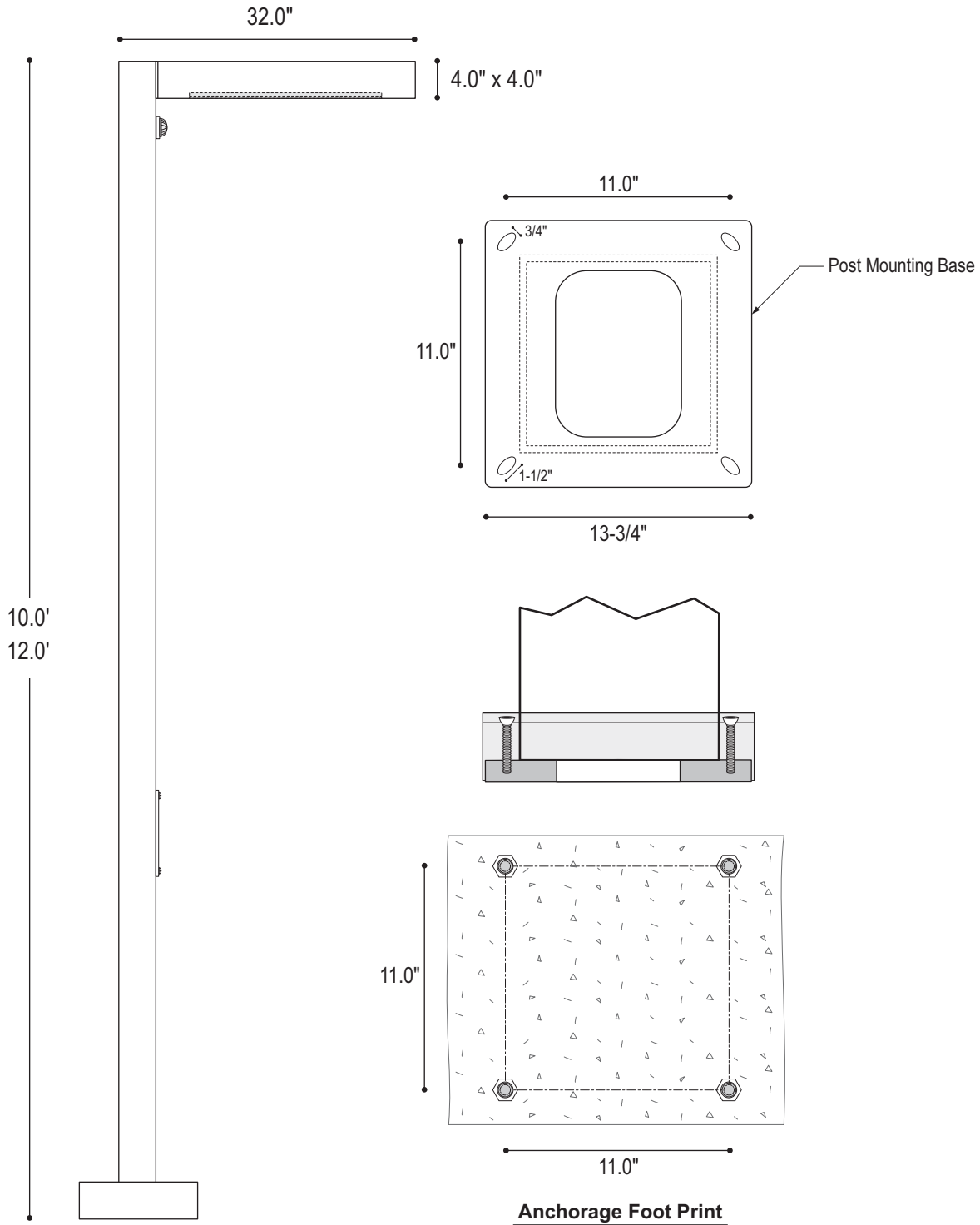
Project :

Type :

Agency :

Distributor :

Post Detail:



Lumux - PL2014

Lumux reserves the right to modify the above details to reflect changes in the cost of materials and/or design without prior notice.

Lumux Lighting Inc.

877-895-5552

Rev : B

Drawing Number
PL2014