

LUMUX

Date :

Project :

Type:

Agency :

Distributor :



Flat Top



Round Top

Description : The BL100S bollard luminaires provide efficient low-glare illumination from a highly durable seamless architectural form. This unit is fabricated from extruded low copper aluminum with UV rated clear polycarbonate lens. You could specify this item with Flat or Round top. All hardware are stainless steel. Silicon gasketed for weather tight operation. Anchor bolts are provided. This unit could be specified in Black, Silver, White or Dark Bronze. Unit complies with "Made in USA" provision. ETL listed for wet locations. IP65 rated.

SPECIFICATION:

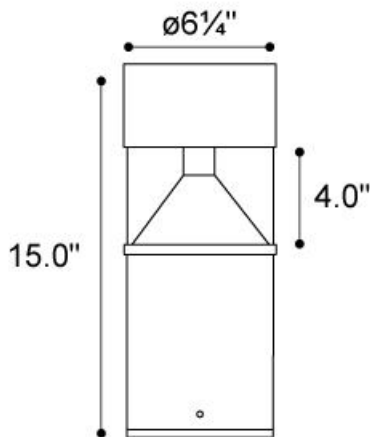
Housing : Extruded low copper aluminum.
Vandal resistance stainless steel screws.
Silicon gasketed for weather tight operation.

Diffuser : Clear Poly Carbonate.

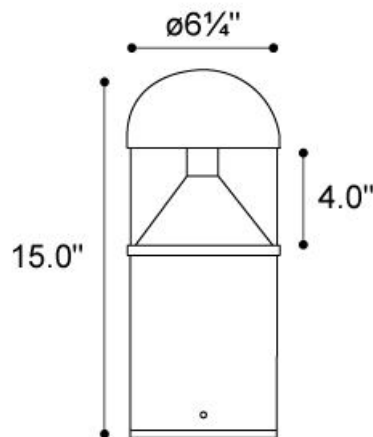
Electrical : Voltage : 120 or 277.
Lamp: LED.
Driver : Integral, class P, Electronic Driver.

Installation:
Unit is provided with anchor bolts.

DIMENSIONS:



BL100S-Flat



BL100S- Round

Lumux - BL100S

Lumux reserves the right to modify the above details to reflect changes in the cost of materials and/or design without prior notice.

Lumux Lighting Inc	877-895-5552	Rev : A	Drawing Number BL100S
--------------------	--------------	---------	--------------------------

LUMUX

Date :

Project :

Type:

Agency :

Distributor :

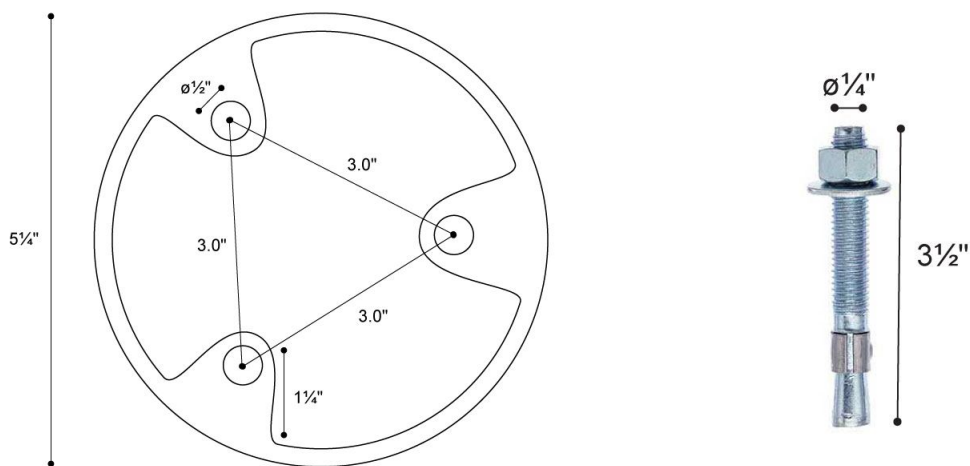
ORDERING GUIDE:

BL100S-Flat or Round/LED-color/120-277/Finish

Wattage	Voltage	Lumen	CRI	Temp.	B. Angle	Finish Black White Silver D.Bronze RAL (optional)
19	120/277	494	70	4000K	120	
19	120/277	445	70	3000K	120	

Lumux - BL100S

PROJECT NOTES:



Anchorage Template

Lumux reserves the right to modify the above details to reflect changes in the cost of materials and/or design without prior notice.

Lumux Lighting Inc	877-895-5552	Rev :A	Drawing Number BL100S
---------------------------	---------------------	---------------	----------------------------------