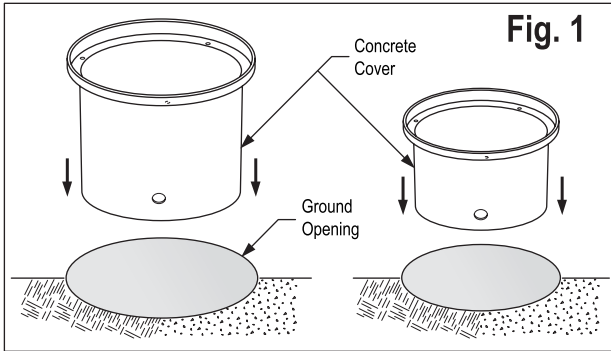


# LUMUX INC.

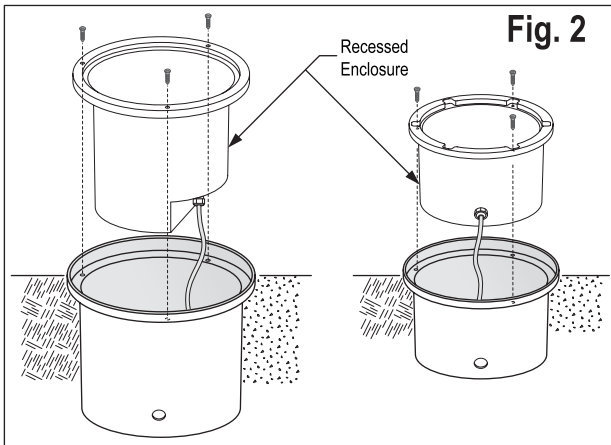
## INSTALLATION OPERATION INSTRUCTIONS

### PREPARING THE LUMINAIRE

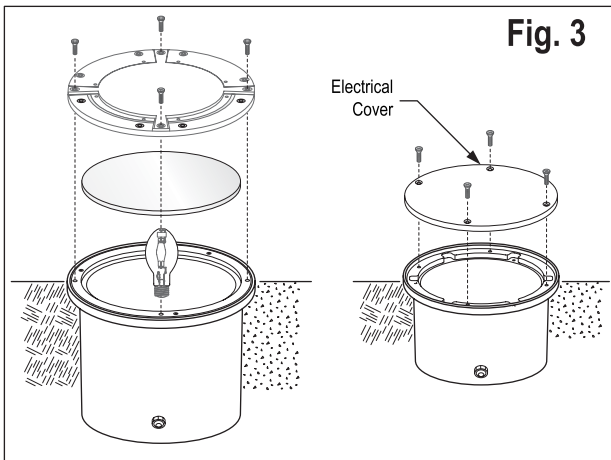
SAVE THIS INSTRUCTIONS



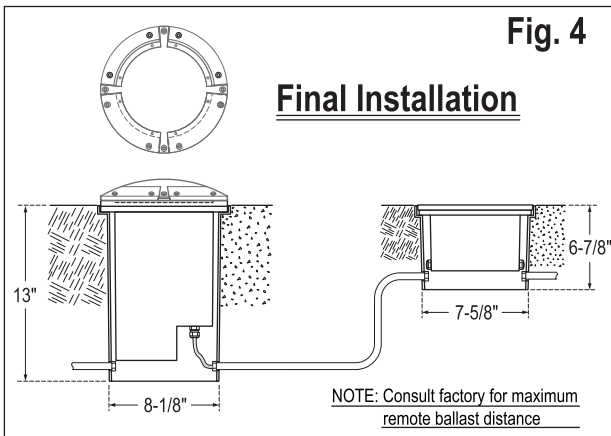
**Fig. 1**



**Fig. 2**

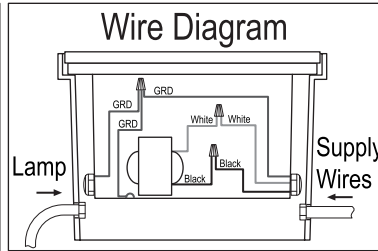


**Fig. 3**



**Fig. 4**

### Final Installation



READ & UNDERSTAND ALL INSTRUCTIONS BEFORE INSTALLATION. IF YOU ARE NOT FAMILIAR WITH THE NATIONAL ELECTRICAL CODE (NEC), CONTACT A QUALIFIED ELECTRICIAN TO INSTALL THIS LUMINAIRE FOR YOU.

**WARNING.-** Before installing this luminaire or doing any maintenance, turn off the power supply at the circuit breaker or fuse box. Turning the power off using the light switch is not sufficient to prevent electrical shock.

#### **Fig. 1.-** Install Luminaire Concrete Cover:

**a)** Make a hole on desired location for lamp enclosure concrete cover (8-1/8" Dia. x 13" depth), and electrical cover (7-5/8" Dia. x 6-7/8" depth) see Fig. 1.

#### **Fig. 2.-** Install Luminaire Enclosure:

**a)** Run electrical supply through the cover access holes and install the enclosures by using the machine screws (provided) see Fig. 2.

#### **Fig. 3.-** Install Lamp & Face Plates:

**a)** Install proper lamp type, **DO NOT EXCEED RECOMMENDED WATTAGE** (see lamp label).

**b)** Place lens and install face plate using the socket head screws (provided), see Fig. 3. Face plate has four removable sides (windows) for light output, remove one or all as needed.

**c)** Make electrical connection (see Wire Diagram), install electrical cover using the flat head machine screws (provided), see Fig. 3.

#### **Fig. 4.-** Install Proper Electrical Fittings:

Install proper fittings and electrical pipes, see Fig. 4 Final installation.

#### **NOTE:**

- 1.- All electrical fittings and supplies must be water proof for proper installation.
- 2.- Consult factory for maximum distance between lamp enclosure and remote ballast enclosure, see Fig. 4.