

LUMUX

Date :

Project :

Type:

Agency :

Distributor :



Description : Specify this up or down small flood light to accentuate the details of your design. This unit is fabricated from grade 316 stainless steel. This unit could be specified for out door or indoor applications. It is silicon gasketed for weather tight applications. ETL listed for wet location. This unit could be specified in low voltage MR16 or 1watt LED.

SPECIFICATION:

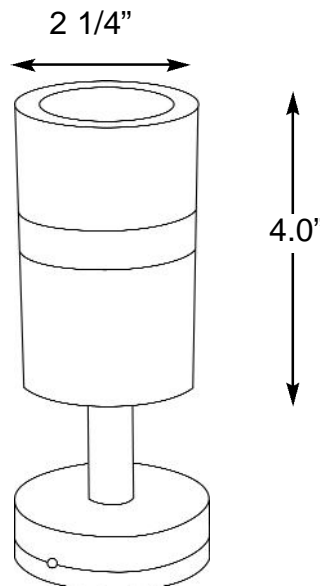
Housing : Grade 316 Stainless steel. Vandal resistance stainless steel screws. Silicon gasketed for weather tight operation.

Electrical : Voltage : 120 .
Lamp: LED.

Diffuser : Clear glass.

Installation: Will install on a standard J-Box..Will install on any standard J-Box. Unit is also provided with a stainless steel back - plate 5.0" x 5.0" to cover on standard J-Box for any electrical connection imperfection.

DIMENSIONS:



Lumux - FL350

Lumux reserves the right to modify the above details to reflect changes in the cost of materials and/or design without prior notice.

Lumux Lighting Inc	877-895-5552	Rev : A	Drawing Number FL350
--------------------	--------------	---------	-------------------------

LUMUX

Date :

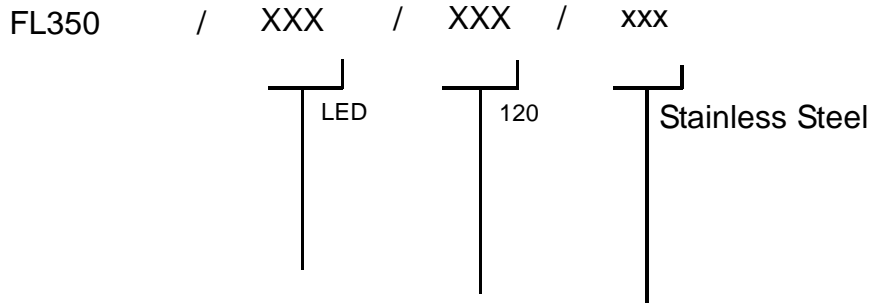
Project :

Type:

Agency :

Distributor :

ORDERING GUIDE:



120 volt Driver is provided for remote installation.

Lumux - FL350

PROJECT NOTES:

Comments

Approval

Lumux reserves the right to modify the above details to reflect changes in the cost of materials and/or design without prior notice.

Lumux Lighting Inc	877-895-5552	Rev :A	Drawing Number FL350
---------------------------	---------------------	---------------	--------------------------------