

# LUMUX

Date :

Project :

Type:

Agency :

Distributor :



**Description :** This unit is fabricated from low copper aluminum die cast and Brass with a knuckle wheel on its arm to ease adjusting the trajectory of the light beam. Unit comes with different accessories for different installation applications. Unit comes with clear glass diffuser or it could be specified with spread lens. This unit could be utilized to accentuate different pieces of your landscaping or to emphasize the details of your building. Gasketed for weather tight application. ETL listed for wet location. Unit could be specified with low voltage MR16 or Halogen G4 or state of the art LED. This unit could be specified with 45 degree or straight cap for different illumination pattern results. Unit comes with domed lens which could be specified with spread lens.

**SPECIFICATION:**

**Housing :** Low copper aluminum die cast.  
Vandal resistance stainless steel screws.  
Silicon gasketed for weather tight operation.

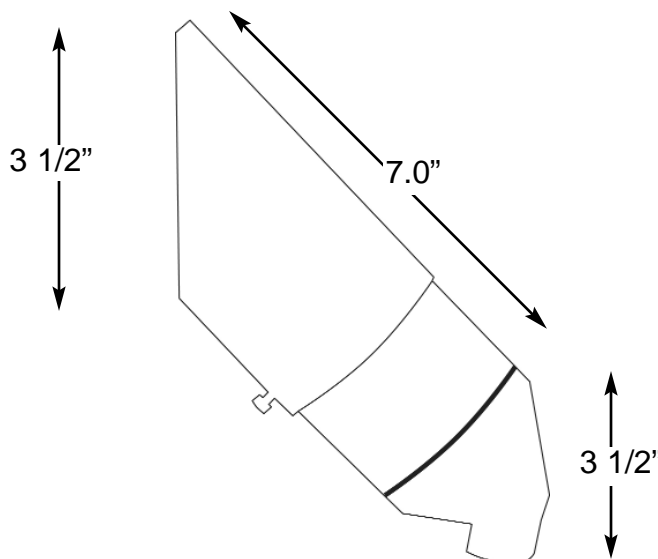
**Diffuser :** Clear glass.  
Option : Spread lens

**Electrical :** Voltage : 120 or 277 volt  
Lamp: Incandescent MR16 or LED  
(Lumux proprietary LED circuit with driver)  
Socket : G4 for MR16 lamp.( 120/12 volt transformer is not included  
LED Driver : Class P, Electronic driver included.

**Cap :**  
Unit could be field modified with 45 degree cap or straight cap.

**Installation:** Unit could be specified with short (8.0") or long (18.0") ground spike.

**DIMENSIONS:**



Lumux - FL200

Lumux reserves the right to modify the above details to reflect changes in the cost of materials and/or design without prior notice.

Lumux Lighting Inc	877-895-5552	Rev : A	Drawing Number FL200
--------------------	--------------	---------	-------------------------

# LUMUX

Date :

Project :

Type:

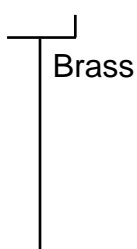
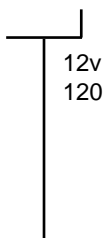
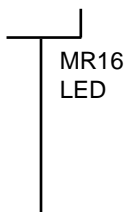
Agency :

Distributor :

## ORDERING GUIDE:

---

FL200 / XXX / XXX / xxx



Lumux - FL200

## PROJECT NOTES:

---

### Comments

### Approval

Lumux reserves the right to modify the above details to reflect changes in the cost of materials and/or design without prior notice.

Lumux Lighting Inc

877-895-5552

Rev :A

Drawing Number  
FL200